



KONICA MINOLTA

FAST, SIMPLE COLOR

SCANNING



ScanDIVA FOR BOOKS AND LARGE ORIGINALS

ScanDIVA is the full-color digital scanning solution that simplifies your scanning of bound volumes and oversized originals. You can scan a 2-page full-color spread in as little as 6 seconds, scan artwork and books up to 18" x 24", even scan 3-dimensional objects up to 2" high. Face-up scanning saves time and protects delicate originals or fragile bindings. A built-in book cradle adjusts in three positions to easily adapt to books and ledgers with thick bindings. You can print to any networked MFP or printer and save images to hard disk or USB memory, with intuitive ImageDIVA software to simplify the process. ScanDIVA's TWAIN driver also enables you to scan directly into dozens of popular software apps.

- FAST SCANNING OF A 2-PAGE COLOR SPREAD IN AS LITTLE AS 6 SECS.
- HIGH-QUALITY 24-BIT COLOR, 8-BIT GRAYSCALE, 1-BIT B&W PROCESSING
- VERSATILE MODE SELECTION TO MEET THE NEEDS OF ANY ORIGINAL
- ON-SCREEN PREVIEW AND ZOOM TO CHECK IMAGES
- AUTOMATIC CORRECTION FOR CURVATURE OF BOOK PAGES
- AUTO CENTER-SHADOW ERASURE, AUTO DELETION OF FRAMES
- AUTO DELETION OF IMAGES OF FINGERS HOLDING DOWN PAGES
- SCAN 3-D OBJECTS UP TO 2" HIGH: ART OBJECTS, JEWELRY, COINS, ETC.
- USB 2.0 INTERFACE, WINDOWS 8*/7/VISTA/XP COMPATIBILITY
- SUPPORT FOR ICC PROFILES FOR PRECISE COLOR MATCHING
- IMAGE DIVA SOFTWARE TO MAKE OPERATION SIMPLE
- OPTIONAL ANGLE BOOK HOLDER TO PROTECT FRAGILE BINDINGS
- OPTIONAL GLASS PLATE UNIT TO GENTLY FLATTEN YOUR ORIGINAL
- OPTIONAL MANUAL SWITCH FOR CONVENIENT ONE-TOUCH SCANNING

* Windows 8 support available spring, 2013.



ScanDIVA



FULL COLOR DIGITAL BOOK SCANNER

ScanDIVA

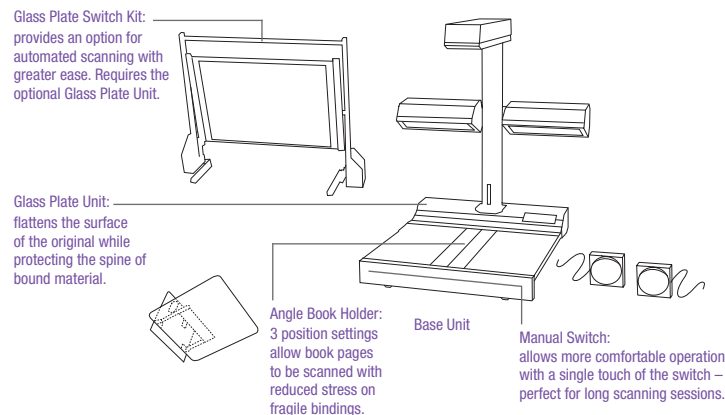
SPECIFICATIONS:

TYPE:	Desktop color book scanner for face-up originals
SCANNING SYSTEM:	Rotary lens scanning system
DOCUMENT TYPE:	Book, Sheet, 3-D object
DOCUMENT SIZE:	Maximum effective area: 18 inches x 24 inches L * Landscape: L, Portrait: P
BOOK MODE/SHEET MODE: SPREAD:	18"x24" L, 17"x22" L, 14"x22" L, 12"x18" L/P, 14"x17" L/P, 11"x17" L/P, 11"x14" L/P, 8.5"x14" L/P, 8.5"x11" L/P, 5.5"x8.5" L/P
SINGLE:	12"x18" P, 11"x17" P, 11"x14" P, 8.5"x14" P, 8.5"x11" P, 7"x11" P, 7"x8.5" P
SPLIT:	5.5"x8.5" P, 12"x18" Px2, 11"x17" Px2, 11"x14" Px2, 8.5"x14" Px2, 8.5"x11" Px2, 7"x11" Px2, 7"x8.5" Px2, 5.5"x8.5" Px2
DOCUMENT THICKNESS:	2 inches or less
RESOLUTIONS:	200 / 240 / 300 / 360 / 400 / 600 dpi
IMAGE SENSOR:	Area type CCD sensor (14.2 Mega pixels)
LIGHT SOURCE:	Fluorescent lamp 28" W x 2
SCAN MODE:	24-bit Color, 8-bit Grayscale, 1-bit Black and White
SCAN SPEED:	6 seconds or less (Mode: Sheet, 17"x22" L, Color, 300 dpi)
AUTO BOOK CORRECTION FUNCTION:	Curved text line correction, Text compression correction
EDITING FUNCTION:	Center erase, Frame masking, Finger masking, Centering
OPERATIONAL PANEL:	Original type, original page, original size, original mode, frame masking on/off and center erase on/off are changeable
INTERFACE:	USB 2.0 High Speed (USB Cable: less than 6 feet)
DEVICE DRIVER:	TWAIN 32 compliant
OS COMPATIBILITY:	32-bit OS: Windows XP, Windows Vista, Windows 7 64-bit OS: Windows Vista, Windows 7, Windows 8*
RECOMMENDED PC SYSTEM:	CPU: INTEL Core i7 2.93GHz or faster MEM: 4 GB or more VIDEO: GeForce GT430 1GB or greater
DIMENSIONS:	32.8" (W) x 36.4" (D) x 49" (H)
WEIGHT:	Approx. 110 lbs.
POWER SOURCE:	120V 60Hz
POWER CONSUMPTION:	Less than 120W
ACCESSORIES:	Glass Plate Unit, Angle Book Holder, Manual Switch, Glass Plate Switch Kit
THIRD PARTY SOLUTIONS:	Jamex 7110/7120 (card-type vending device); Jamex 4300 (coin-type vending device)

* Windows 8 support available Spring 2013

DESCRIPTION:	ScanDIVA	ITEM NO.	DESCRIPTION	NOTES
BASE UNIT:	ScanDIVA	7177415	Full Color Book Scanner	Includes Book Cradle, USB Cable, White Balance Chart, Power Cable, Twain Driver, Manual, ImageDIVA software
ACCESSORIES: GLASS PLATE UNIT:		7133017701	Glass Plate	Flattens the surface of the original for a better image quality and protects the spine
ANGLE BOOK HOLDER:		7133017901	Angle Book Holder	Provides 3 settings for enhanced book spine support
MANUAL SWITCH:		7133017101	Manual Switch	Initiates scanning with one touch
GLASS PLATE SWITCH KIT:		7133017301	Glass Plate Switch Kit	Provides an automated scan option. Requires the optional Glass Plate Unit.

ScanDIVA



KONICA MINOLTA

KONICA MINOLTA BUSINESS SOLUTIONS U.S.A., INC.

100 Williams Drive
Ramsey, NJ 07446

www.CountOnKonicaMinolta.com
www.kmbs.konicaminolta.us



© 2013 KONICA MINOLTA BUSINESS SOLUTIONS U.S.A., INC. All rights reserved. Reproduction in whole or in part without written permission is prohibited. Konica Minolta and Count on Konica Minolta are trademarks of KONICA MINOLTA HOLDINGS, INC. All other brands and product names are registered trademarks or trademarks of their respective owners. Design & specifications are subject to change without notice. Some functions may require options, which may or may not be available at time of launch.

Item #: ScanDIVASS
4/13